

# NATIONAL INSTITUTE OF TECHNOLOGY

## TIRUCHIRAPPALLI – 15

Department of Electrical and Electronics Engineering

Web : [www.nitt.edu](http://www.nitt.edu)

Phone : 0431 - 2503261



# TENDER DOCUMENT

Tender Notification No.: NITT/R&C/NLC/EEE/SSK/303-006/2015-16

Dated: 29/08/2016

Name of the component : **Design, Supply, Installation and Commissioning of Miniature Conveyor Belt Drive System**

Quantity required : **01**

EMD Amount : **Rs.42000.00**

Cost of the Tender Document : **Rs.150**

Delivery : **Within 50 Days**

Last Date of submission of Tender : **Wednesday 21<sup>st</sup> September 2016 upto 12.30 P.M**

Address for submission of Tender : The Director,  
National Institute of Technology, Tiruchirappalli – 620015,  
Tamilnadu, India  
**Kind ATTN to:** Dr.S.Senthil Kumar, Assistant Professor,  
EEE Department, National Institute of Technology,  
Tiruchirappalli-15, Tamil nadu.  
Phone: **0431 - 2503261**  
Email: [skumar@nitt.edu](mailto:skumar@nitt.edu)

Date of Pre bid Meeting : **Thursday 8<sup>th</sup> September 2016 at 2.30 p.m.** (Venue: **EEE Department, NIT, Tiruchirappalli-15**).



**NATIONAL INSTITUTE OF TECHNOLOGY  
TIRUCHIRAPPALLI – 15**

**DEPARTMENT OF ELECTRICAL AND ELECTRONICS ENGINEERING**

**Tender Notification No.:** NITT/R&C/NLC/EEE/SSK/303-006/2015-16      Dated: 29/08/2016

**NOTICE INVITING TENDER**

The National Institute of Technology, Tiruchirappalli (NITT) is an autonomous body under MHRD, GOI, imparting Technical Education and engaged in Research Activities. It is proposed to procure the following component for the Departmental academic/research activities.

Sealed bids under **two bid system** are invited for the following component subject to the following terms and conditions, from the reputed manufacturers or their authorized dealers so as to reach this office on or before scheduled date and time. The technical cover will be opened on the same day in the presence of bidders or their authorized agents who may choose to be present.

Name of the component	: <b>Design, Supply, Installation and Commissioning of Miniature Conveyor Belt Drive System</b>
Quantity required	: <b>01</b>
EMD	: <b>Rs.42000.00</b>
Cost of the Tender Document	: <b>Rs.150</b>
Time for completion of supply after placing purchase order	: <b>Within 50 Days</b>
Last Date of submission of Tender	: <b>Wednesday 21<sup>st</sup> September 2016 upto 12.30 P.M</b>

Address for submission of Tender : The Director,  
National Institute of Technology, Tiruchirappalli – 620015,  
Tamilnadu, India  
**Kind ATTN to:** Dr.S.Senthil Kumar, Assistant Professor,  
EEE Department, National Institute of Technology,  
Tiruchirappalli-15, Tamil nadu.  
Phone: **0431 - 2503261**  
Email: skumar@nitt.edu

**Place, Date and time of opening of bid:** **Wednesday 21<sup>st</sup> September 2016 at 2.30 p.m.**  
**(Venue: Store section, Administrative Building, NIT, Tiruchirappalli-15).**

**Note :** The Institute shall not be responsible for any postal delay about non-receipt / non delivery of the bids or due to wrong addressee.

**INSTRUCTIONS TO BIDDERS**

1. This document set contains the following:
  - a) Terms and conditions of the Tender      b) Details of the Firm offering this Quote
  - c) Technical Compliance Form                      d) Quotation form (Price Bid)
  - e) Currency Form (quoted on behalf of the foreign suppliers) f) NIT-T's check list copy
2. The bidder's copy is for your future records. Please fill in and return only NIT-T's copy.
3. The bidder should give details of their technical soundness and provide list of customers of previous supply of similar items to Universities, Institutes or Government Departments/Undertakings/public sectors with contact details. The details of the agency/profile should be furnished along with the copy of all related documents.
4. Read through the terms and conditions given and affix your signature and seal if you find them acceptable. Any deviations may be recorded. Read carefully list of specifications that we have enclosed.
5. Fill in the questionnaire regarding the Firm.
6. The downloaded documents '**Technical Compliance Form**' and '**Quotation Form (Price Bid)**' should be **TYPE WRITTEN USING CAPITAL LETTERS ONLY**. At the time of filling the "**Quotation Form (Price Bid)**" make sure that you have not missed anything. Specify the model number & specification for each item. The form should be filled item-wise. Do not leave blank fields. If you are not quoting for a specific item, you should specify "**NOT QUOTING**".
7. **Do not use** ambiguous terms like "**yes**", "**complied**" or "**available**". Specifically mention the matching specification of the product offered by you. Make sure that you have affixed your signature with date and seal on all the documents.
8. Please send the tenders in a sealed envelope superscribed as "**QUOTATIONS AGAINST TENDER NOTIFICATION NO: NITT/R&C/NLC/EEE/SSK/303-006/2015-16 Dated:29/08/2016**" so as to reach "The Director, National Institute of Technology, Tiruchirappalli - 620 015, India" on or before **Wednesday 21<sup>st</sup> September 2016 at 12.30 p.m. along with a Softcopy of the Technical Compliance form (along with cover-2) and Quotation Forms (along with cover-3) in MS-Excel file format in a CD/DVD or USB drive.**
9. For any further clarifications, contact by E-Mail: dlc@nitt.edu or by written request to "The Registrar, (Kind **ATTN to: Dr.S.Senthil Kumar**, Assistant Professor, EEE Department,) National Institute of Technology, Tiruchirappalli - 620 015, India"
10. Pre-bid conference will be held on **8<sup>th</sup> September 2016 at 2.30 p.m**
11. **Last Date for receipt of tender at NIT-T : Wednesday 21<sup>st</sup> September 2016 at 12.30 p.m.**  
**Opening Date for technical bid : Wednesday 21<sup>st</sup> September 2016 at 2.30 p.m.**

<b>CHECKLIST TO BE FILLED IN BY BIDDER</b>	
List of documents to be enclosed	Completed & Signed
1. Terms and Conditions form	YES / NO
2. Details of the Firm offering this Quote	YES / NO
3. NIT-T's Quotation form (Technical & Price Bid)	YES / NO
4. Currency Form(quoted on behalf of the foreign suppliers)	YES / NO
5. Other technical specifications & pamphlets	YES / NO

- Note:** 1. "Cover" should contain the following:
- a. Form of "**Acceptance of Terms and Conditions**".
  - b. Form of "**Firm details**"
  - c. Pamphlets, if any (in a separate sealed cover)
  - d. Quotation Form (Technical, Price Bid and Currency Form)

**Please retain this page with you for your future reference.**

## SECTION : 1 – TWO BID TENDER

### Cover 1: EMD and Tender cost

(should be superscribed as 'EMD and tender cost cover' duly indicating the Tender reference No. and the due date of opening)

Earnest Money Deposit (EMD) and tender cost are to be submitted by way of Demand Draft/FDR drawn on any Nationalized bank in India in favor of "The Director, NIT, Trichy" payable at Trichy. The bids submitted without EMD or tender cost will be treated as non-responsive and will be rejected. EMD shall bear no interest.

Earnest Money Deposit (EMD): The Tenders/ Bids must be accompanied by Earnest Money Deposit. The bidders who are registered with National Small Industries Corporation (NSIC) are exempted from EMD and cost of tender document. However, for claiming this exemption, the bidders MUST furnish an attested copy of the exemption certificate indicating Date of registration, validity period of the registration, whether registered for items for which tender has been floated. The EMD of all the unsuccessful bidders will be returned to them at the earliest after issue of purchase order. The EMD of successful bidder shall be returned on receipt of Performance Bank Guarantee. No interest will be payable by the NITT on the EMD amount.

### Cover 2: Technical Bid

(should be superscribed as 'Technical Bid' duly indicating the Tender reference No. and the due date of opening)

Should contain:

- a. Technical pamphlets
- b. Detailed technical specification
- c. Copy of license certificate for manufacture/supply of the item\*
- d. Income Tax PAN number & TIN number.\*
- e. Last three years balance sheet approved by the CA and the IT clearance certificate.\*
- f. Warranty period offered for the tendered item to be specified. If the warranty period is not conforming with the schedule of requirements given in section 3 of the Tender document, the bid is liable to be treated as non-responsive and will be rejected.
- g. Duly filled up technical questionnaire, if any
- h. Duly filled up deviation schedules to technical specifications, if any
- i. Copy of supply orders completed during the last three years

\* Appropriately pertaining to the country of origin.

### Cover 3: Price Bid

(should be superscribed as 'Price Bid' duly indicating the Tender reference No. and the due date of opening)

Should contain:

- a. Price bid as per the format in Section-4 of the tender document
- b. Break-up price as per the format in Annexure-A

### Note:

- a. If the prices are revealed in cover 1 or in cover 2, the offer will be summarily rejected.
- b. Each Cover shall be sent in a double sealed cover. The inner covers (Cover 1, Cover 2 and Cover 3) should be sealed individually with the Sellers's distinctive seal and superscribed with the tender reference No. and due date of opening. All inner covers shall be placed in a common outer cover which shall also be sealed with seller's distinctive seal and superscribed with the tender reference No. and due date of opening.
- c. Mention "Kind Attention: **Dr.S.Senthil Kumar**, Assistant Professor, EEE Department, National Institute of Technology, Tiruchirappalli-15, Tamil nadu and submit at the address given in the Notice Inviting Tender.
- d. Cover 1 & 2 will be opened on the scheduled date and time mentioned in the tender enquiry.
- e. Cover 3 of the technically and commercially suitable offers alone will be opened on a date which will be intimated to the qualified bidders.

**SECTION : 2 – TERMS AND CONDITIONS FORM**

**IMPORTANT: READ THE FOLLOWING TERMS AND CONDITIONS AND  
SIGN THE ACCEPTANCE CLAUSE FOLLOWING IT**

1. The offers should be addressed to “The Director, National Institute of Technology, Tiruchirappalli 620015, India” and should be sent in a sealed envelope super scribed BID **AGAINST TENDER NOTIFICATION No.:** NITT/R&C/NLC/EEE/SSK/303-006/2015-16 Dated: 29/08/2016” so as to reach us **on or before Wednesday 21<sup>st</sup> September 2016 at 12.30 p.m.**
2. Each offer should be sent in a sealed cover with the tender documents. Tenders received through email or FAX will not be considered. **Softcopy of the Technical Compliance form and Quotation Forms should be submitted along with the tender in MS-Excel file format in a CD/DVD or USB drive. However, if there is any dispute between Hard copy and Soft copy, Hard copy will be taken.**
3. The tenders will be opened on **Wednesday 21<sup>st</sup> September 2016 at 2.30 p.m.** in the presence of the vendors present with authorization letter from the respective companies / firms. Suppliers intending to attend the tender opening should intimate us in advance.
4. Full technical specifications and pamphlets should be sent along with the tenders. **Offers without proper technical specifications will be rejected.**
5. The rate quoted should be on unit basis excluding Taxes. Taxes and other charges should be quoted separately, considering exemptions if any.
6. All offers should indicate unit price (excluding taxes and duties applicable), Taxes and other charges should be mentioned separately, if any. Additional charges for packing, forwarding, freight, insurance etc., if any, should be clearly mentioned. Clearance at Customs will be arranged by us.
7. NIT-T is paying concessional Customs & Excise duty under Government of India Notification No.51/96 for Central Customs and 10/97 for Central Excise Duty vide Certificate No.TU/V/RG-CDE(183)/2011 dt.10.10.11. Currently the purchaser is paying 5% Basic Customs Duty, 2% Educational Cess on Basic Customs Duty, 1% Higher Education Cess on Educational Cess, and 4% Import Additional Duty. **This institute is exempted from payment of service tax as per Sl.no. 9 of Government notification No25/2012-ST dated 20<sup>th</sup> june, 2012.** The Institute is not authorized to issue C and D forms of Sales tax certificate.
8. In case the offered items are to be imported, the rates should be quoted in foreign currency on C.I.F. Chennai Airport basis, and it should include the Freight up to Chennai airport and the insurance cover should be up to National Institute of Technology, Tiruchirappalli. NIT-T shall pay Customs duty if any.
9. If the price quoted is in foreign currency and if the order value is more than US\$10,000 and requested by the bidder then 100% payment will be made through **Letter of Credit (LC) at sight on acceptance. The bank charges outside India should be borne by the Supplier / Beneficiary. Part shipment not allowed.**
10. If the price quoted is in Indian Rupees, then 100% payment will be made only after installation and commissioning. **No advance payment will be made.**
11. No revision of the price bid will be allowed once the price bids are opened. In case of foreign currency, the agency should mention the % of currency fluctuations they can bear.
12. No increase in price will be allowed after our firm orders are placed.
13. **Payment of excise duty and sales tax / VAT (on ultimate products)** as applicable on the closing date of tender will be to the supplier's / contractor's account. Any statutory variation (both plus and minus) in the rate of excise duty/sales tax/VAT after closing date of tender/revised price bid but before the expiry of the contractual delivery / completion period will be to the account of the office.

The bidder(s) should indicate, in their bid, the amount with exact rate of the Excise and Sales tax/VAT on ultimate finished product, as applicable at tendering stage, separately in the bid. In case the above information subsequently proves wrong, incorrect or misleading (a) this Institute will have no liability to reimburse the excess in the difference in rates of the item under which the duty/tax assessed finally (b) this Institute will have the right to recover the difference in case the rate of duty / tax finally assessed is on the lower side. Any increase in excise duty, sales tax / VAT during extended period of the contract / supply order will be to supplier's / contractor's account where such extension in delivery of the materials/completion of the project was on the request of supplier / contractor. However, any decrease in excise duty/sales tax/ VAT during extended period of the contract / supply order, will be to the account of this Institute.

14. **This institute is exempted from payment of service tax as per Sl.no. 9 of Government notification No25/2012-ST dated 20<sup>th</sup> june, 2012. The tenderer should verify the excise duty exemption certificates of this institution and service tax rules before submission of the Bid. It will be assumed on the submission of bid that excise duty exemption will be provided and no other conditions after the issue of purchase order will be accepted. No service tax will be paid by this institute.**
15. The warranty period should be clearly mentioned. The maintenance charges (AMC) under different schemes after the expiry of the warranty should also be mentioned.
16. Quote should come from authorized dealer or distributor or reseller for each of the product quoted. An authorization letter should accompany your quote for each product quoted; otherwise it may lead to rejection.
17. The delivery period and other terms should be clearly mentioned.
18. **Eligibility:** Quotation from registered firms/company's / manufacturer under TNGST/CST / other statutory bodies alone will be considered. Any Manufacturer / Supplier / Dealer who has been declared ineligible by World Bank/Government of India shall not be eligible to participate in this bid. Any fraudulent practices including concealing of facts at the time of submission of bid and there after shall lead to disqualification. List of beneficiaries especially from Educational Institutions / R & D Institutions should also be enclosed with the quotations.
19. For those instruments Cost exceeding Rs. 5,00,000/- the company should have (i) Three similar works, each of value not less than 40% of the estimated cost put to tender, or (ii) Two similar works, each of value not less than 50% of the estimated cost, or (iii) One similar work of value not less than 80% of the estimated cost, all amounts rounded off to a convenient full figure, in the last 7 years ending on the last day of the month previous to the one in which the tenders are invited.
20. Complete user, technical and service documentation and spare parts catalogue are to be provided along with the supply of the item.
21. The vendors are informed that they should not call us over phone or contact us in person. All clarifications can be obtained through E-Mail/FAX/Post. Vendors shall not make attempts to establish unsolicited and un-authorized contact with us after the opening of the offers and prior to the notification of the award. Any attempt by any vendor to bring to bear extraneous pressures on us shall be sufficient reason to disqualify the vendor.
22. Delay / loss in postal transit or due to other reasons will not be NIT-T's responsibility.
23. We are not responsible for accidental opening of the covers that are not properly superscribed and sealed before the time scheduled for opening.
24. The tender should be made only on the FORM which is available in our website, otherwise it shall lead to rejection. The FORM should be duly filled up (preferably **TYPE WRITTEN IN CAPITAL LETTERS**) and should clearly mention the features offered by the bidder against each specification.
25. Authorized signatory should sign on all the pages. Bids without authorized signatures or seal of the firm will be rejected.
26. The manufacturers of the quoted make of the product must be of National / International repute and having ISO /BIS certificate.
27. **Liquidated damages:** If the bidder/supplier, after accepting the Purchase Order, fails to deliver any or all of the Goods within the period specified in the Order, NIT-T shall, without

prejudice to its other remedies under the Rules of Purchase, proceed to cancel the order or agree to accept a delayed delivery on the condition of payment of liquidated damages by the bidder / supplier a sum equivalent to 0.50% of the total cost as indicated in the Purchase Order (which will be deemed as agreed price) for each week or part thereof of delay until actual delivery or performance is completed and such penal charges shall be limited to a maximum of 5% of the total cost. Once the maximum is reached NIT-T may proceed on its own to consider the termination / cancellation of the order.

28. **The vendors are informed that they should sign a stamp paper agreement with us, for Warranty, AMC, etc. before placing the final purchase order as per our terms & conditions and 5% -10% of purchase order value in the form of bank guarantee towards performance security. The bank guarantee will be returned to the supplier after the successful completion of supply, installation, and the warranty period.**
29. Failure to comply with all the terms and conditions mentioned herein would result in the tender being summarily rejected.
30. Vendors are informed that once the companies are shortlisted based on the technical specification, only then the price bids of the firms that meet NIT-T's Technical specification / requirements would be compared.
31. The order will be based on the actual requirement at the time of ordering, optional items may also be ordered based on the actual requirements at the time of ordering. Not quoting for this may result in disqualification.
32. NIT-T reserves the right to modify or alter the specifications after short listing of tenderers.
33. NIT-T reserves the right to change the order quantity or split the orders among multiple vendors without assigning any reason(s) whatsoever.
34. NIT-T reserves the right to reject any or all the tenders without assigning any reasons whatsoever.
35. NIT-T reserves the right to purchase decreased number of quantity of the item to be purchased.
36. The agencies should submit their rate as per the format given in Section 4 of the Notice Inviting Tender in this cover. All the pages of the bid should be signed affixing the seal. All corrections and overwriting should be initialed.
37. The tender will be acceptable only from the manufacturers or its authorized supplier.
38. The bid shall be in the format of price schedule given in Section 4. The contract form as per format given in section 5 shall be submitted. Incomplete or conditional tender will be rejected.
39. Details of quantity and the specifications are mentioned in Section 3 appended to this Notice Inviting Tender.
40. The item to be used is strictly according to the specification and subject to test by the Institute/concerned authorities. It must be delivered and installed in good working condition.
41. The Contractor/Supplier shall have no claim to any payment of compensation or otherwise whatsoever, on account of any profit or advantage which he might have derived from the execution of the work/supply in full but he did not derive in consequence of the foreclosure of the whole or part of the works.
42. In case of dispute, the matter will be subject to Tiruchirappalli, Tamil Nadu Jurisdiction only.

**Release of EMD:** The EMD will be released after receipt of performance security from successful bidder.

**Validity of bids:** The rate quote should be valid for a minimum of 120 days. No claim for escalation of rate will be considered after opening the Tender.

**Imports:** In case, goods are to be imported, the Indian agent should furnish authorization certificate by the principles abroad for submission of the bid in response to this Notice Inviting Tender.

**Clarification of Tender Document:** A prospective bidder requiring any clarification of the Tender document may communicate to the contact person given in this notice inviting tender.

**Amendment of tender document:** At any time prior to the last date of receipt of bids, Institute may for any reason, whether at its own initiative or in response to a clarification requested by prospective bidder, modify the Tender document by an amendment.

***The Institute may at its own discretion extend the last date for the receipt of bids.***

The bids shall be written in English language and any information printed in other language shall be accompanied by an English translation, in which case for the purpose of interpretation of the bid, the English translation shall govern.

The Institute reserves the right of accepting any bid other than the lowest or even rejecting all the bids without assigning any reasons therefor. The decision of the Institute Purchase Committee is final in all matters of tender and purchase.

**The bidder should give the following declaration while submitting the Tender.**

#### **ACCEPTANCE**

We accept the above terms and conditions and shall comply with them strictly.

**NAME OF THE VENDOR:**

**ADDRESS :**

**Signature and seal**



**“DETAILS OF THE FIRM OFFERING THIS QUOTE”**  
**(Write or print or type in block letters)**

1. Name of the firm: \_\_\_\_\_
2. Date of incorporation: \_\_\_\_\_
3. Nature of the company (tick one): Government / Public / Private Company / Partnership / Proprietorship
4. Specify the number of years in this line of activity by the Company: ..
5. Quantity of sales in the last three years for the “.....” (same model that you have quoted):

2010-2011	2011-2012	2012-2013

6. Turnover in the last three years (Lakh Indian Rupees):

2010-2011	2011-2012	2012-2013

7. Provide the postal address, telephone & fax numbers, and email address of the nearest service center.
8. Number of service engineers in the above location trained on the product quoted along with their educational qualification, certification and designation (applicable only for instruments):
9. Assured response time for service calls in hours:
10. Delivery period from the date an official purchase order placed (in weeks):
11. Enclose the list of customers to whom you have supplied “.....” during the last 3 years ending 31/03/2013 with full postal address and name of the contact person with phone, FAX numbers, and E-Mail id. Certificate regarding satisfactory performance of the “.....” from the minimum three end users should be furnished.
12. Are you the authorized dealer or distributor or reseller for the products quoted?
13. Have you supplied “.....” to National Institute of Technology, Tiruchirappalli in the last 3 years? If yes, specify the quantity supplied in the last 3 years and last PO reference:
14. Was there any elapse or delay in supplying the goods ordered or any service related issue during the warranty period for the products ordered by NIT-T with your firm? If yes, provide details.
15. On Manufacturer’s Side to whom NITT have to contact in case of delayed in supply and other issues committed by the authorized dealer / distributor / reseller :

Contact Person Name :	
Address :	
E-mail ID :	Telephone / Cell Phone :

**DECLARATION**

I/we have not tampered/modified the tender forms in any manner. In case, if the same is found to be tampered/modified, I/we understand that my/our tender will be summarily rejected and full Earnest Money Deposit (EMD) will be forfeited and I/we am/are liable to be banned from doing business with NIT, Trichy and /or prosecuted.

**Signature of the Bidder** : .....

**Name and Designation** : .....

**Business Address** : .....

.....

.....

**Place :**

**Date :**

**Seal of the Bidder's Firm**

**SECTION : 3 – SCHEDULE OF REQUIREMENTS, SPECIFICATIONS AND ALLIED DETAILS**

**Specification for Design, Supply, Installation and Commissioning of Miniature Conveyor Belt Drive System at National Institute of Technology, Tiruchirappalli-15**

Name of the Component to be procured: **Miniature Conveyor Belt Drive System**

Specifications :

**Detailed Specifications:**

**Design of layout for Miniature Conveyor Belt Drive System (scope of vendor):**

The space (20 m x 10 m) earmarked in the Electrical and Electronics Engineering department at National Institute of Technology, Tiruchirappalli shall be utilized for installing the setup in an optimal manner as per the specifications in the tender document.

The final design of layout for Miniature Conveyor Belt Drive System shall have the approval of NITT prior to preparation of concrete beds by NITT.

**Description of Miniature Conveyor Belt Drive System**

The miniature conveyor belt drive consist of 4 motors at driving pulley side, 1 generator & 1 brake drum arrangement at tail pulley side, gears coupling all the machines to their respective pulleys, idlers and the belt.

**Detailed Technical specifications**

This setup is proposed with an aim to study multi-motor drives, especially conveyor belt multi motor drives. It has two drive pulleys - the primary and secondary as shown in **Fig.1**. Each drive pulley is run by two three-phase slip ring induction motors through bevel-helical gears. There is only one tail pulley which consists of one generator coupled through a gear, and a brake drum. The generator and brake load will be used for loading the motors. There is no material load carried by the belt since a small length is not sufficient to load the motor to the fullest capacity. The belt is supported from drive end to tail end by idlers. The entire setup is shown in **Fig 2**.

**1) Specifications of Individual Machines / components**

**1.1) THREE-PHASE INDUCTION MACHINE**

**QUANTITY : 4 UNITS**

The four induction machines are to be identical and their specification is as follows:

Power Rating	:	2.2 kW
Stator Voltage	:	415V ±10%
Rotor	:	slip ring

Frequency	:	50Hz $\pm$ 5%
Poles	:	4
Power factor	:	Greater than or equal to 0.8 @ full Load
Efficiency	:	Greater than or equal to 80% @ full load
Insulation	:	Class F with temperature rise limited to Class B
Protection	:	IP55
Enclosure	:	TEFC
Duty Class	:	S1
Standards for testing	:	Applicable IS
Terminal box	:	All six terminals of stator & rotor winding (3-phase) need to be brought out

Provision is to be made for both star and delta connected stator. The shaft should be accessible at both ends. Efficiency shall be as given above. Any deviation from IS guidelines is not acceptable. Four machines of above specification are to be installed at the drive pulley.

## **1.2) DC MACHINE**

**QUANTITY : 1 UNIT**

The two DC Machines are to be identical. Their specifications are as follows.

Power Rating	:	5kW
Speed (rpm)	:	1500
Type	:	Separately Excited
Armature Voltage	:	220V
Field voltage	:	220V
Poles	:	4 pole, laminated
Full load Efficiency	:	Equal to or better than 80%
Insulation	:	Class F with temperature rise limited to Class B

Protection	:	IP23
Enclosure	:	TEFC
Standards	:	Applicable IS
No load voltage ripple factor	:	less than 1% at rated speed
Duty class	:	S1
Termination	:	Terminal box, all 4 winding terminals (2 field + 2 armature) brought out

Efficiency shall be as given above. Any deviation from IS guidelines is not acceptable.

The DC machines will be installed at the tail pulley.

**Also brake drum arrangement should be provided with mechanical loading arrangement (spring balance arrangement). The machine should be mounted on base plate arrangement.**

### **1.3) CONVEYOR BELT**

#### **3.3.1) TEST CONVEYOR BELT**

Belt width	:	650mm
Carrying & return idlers	:	flat equal idlers.
Idler diameter	:	76mm
Idler spacing	:	1.35m max.
Angle of incline	:	less than or equal to 14 degrees
Belt speed	:	0.5 – 2 m/s
Belt material	:	fabric belt
Length	:	10m approx.

Wrap angle, Drive drum & Tail drum diameters, snub pulley diameter, exact speed of conveyor & gear ratio are to be exactly identified by the vendor. The above values are representative and suitable modifications can be done by the vendor. However, the final specifications thus arrived at require the approval by NITT.

### **1.4) GEAR BOX & BRAKE DRUM**

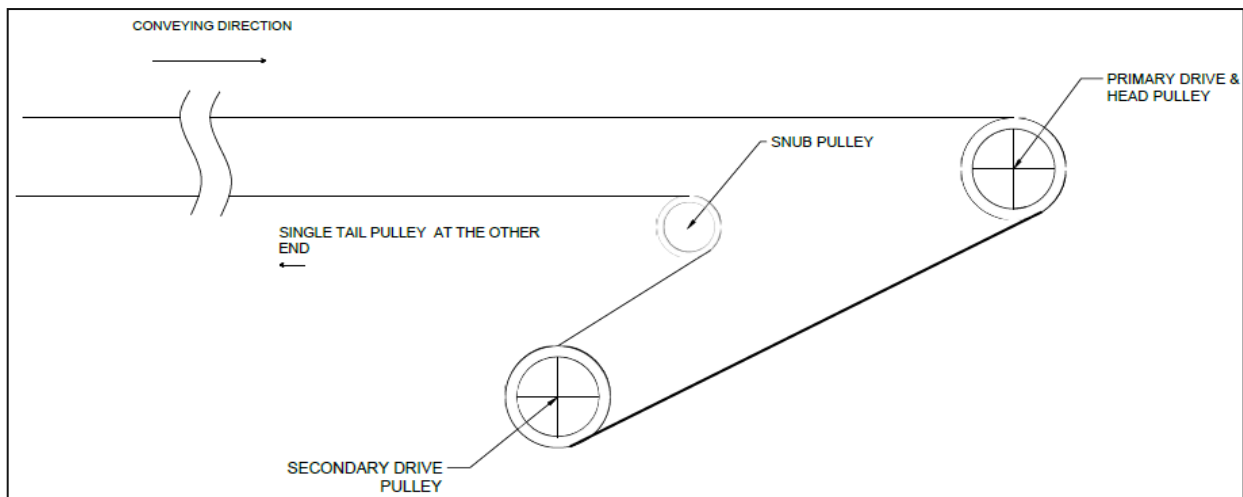
Test conveyor driving motors	:	2.2 kW, bevel – helical gear
------------------------------	---	------------------------------

Test conveyor loading generators : 5kW

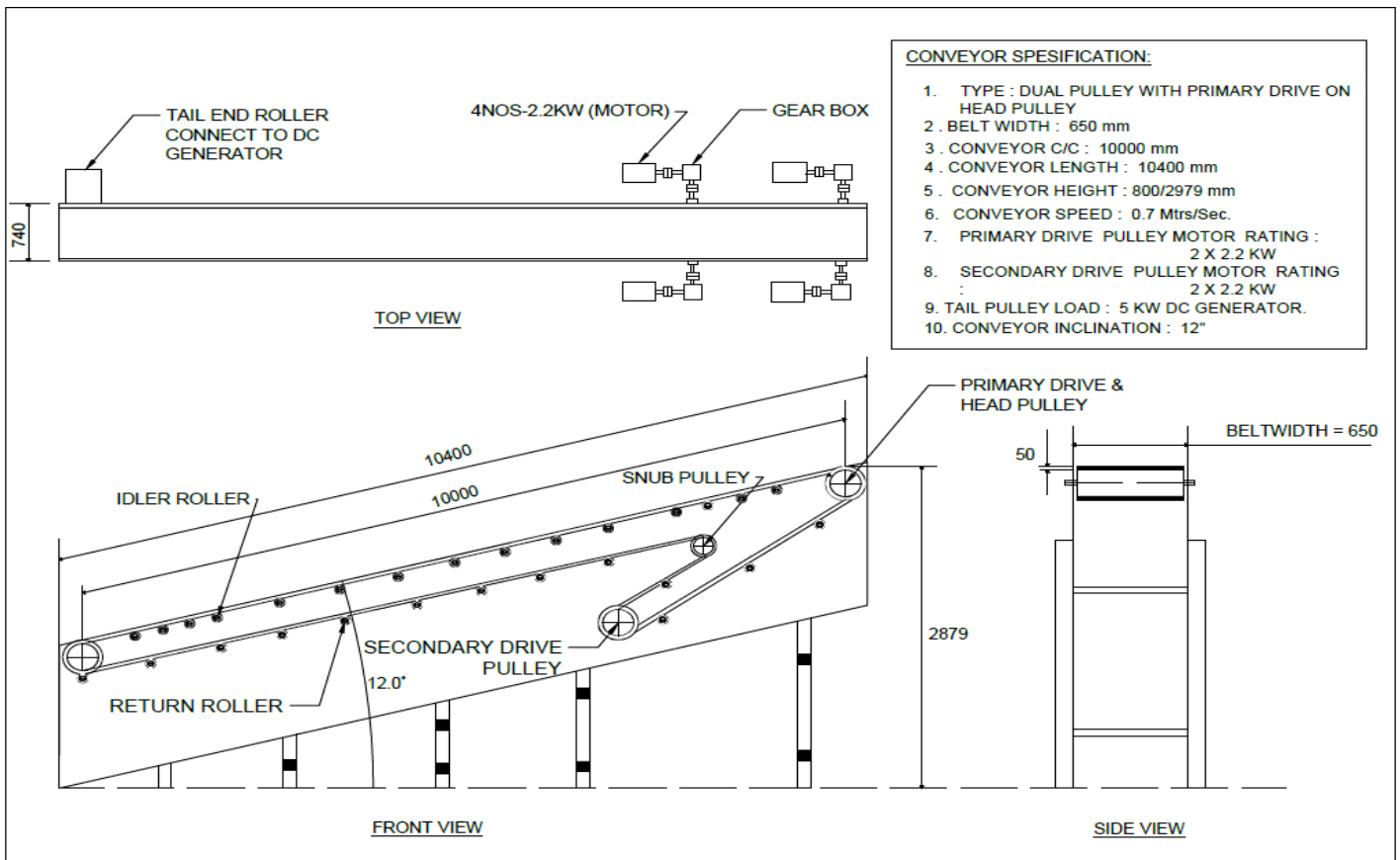
Brake drum : 5kW

### 1.5) INSTRUMENTATION

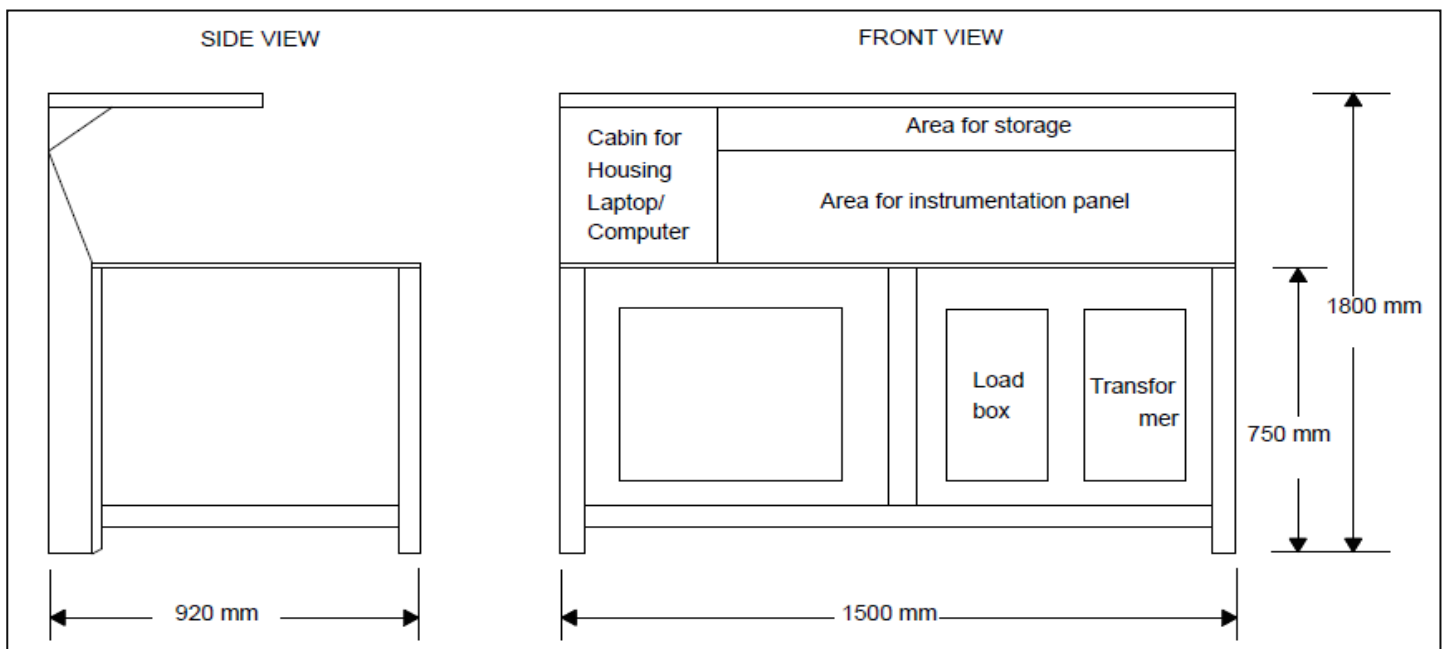
Provision will be made for instrumentation panels for each electrical machine. Each of these panels shall have provision to make the following types of measurements – voltage (TRMS), current (TRMS), three phase power and single phase power. The bench shall also have a speed indication in rpm. The measurement area shall also have a digital LED panel meter (3½ digit) to indicate the speed in rpm of the shaft from the pickups on the machine set. The panel meter shall directly accept pulses from the pickup and indicate speed. All panel meters shall have an associated legend marking to identify the readout type. There shall be a provision to allocate a wooden worktable (850mmx1500mm) along with the instrumentation panel to carry out the experimentation. The worktable top should be made with waterproof, termite resistant plywood with a laminated smooth surface. The frame may be of steel for the table. The design of the table shall be such that the 3-phase transformers, load boxes and drive cabinet can be easily accommodated in the table. There shall also be a provision of a draw-out so as to house the computer keyboard and mouse. The structure of the worktable is shown in **Fig.3**.



**Fig.1. Drive Drum arrangements**



**Fig.2. Miniature belt Drive set-up**



**Fig.3 Layout of the wooden worktable**

Quantity : **01**

Warranty period required (years): **03 Years**

Delivery schedule expected after  
release of purchase order (in weeks) : **within 50 Days**

EMD (in Rupees) : **42,000.00**

Performance Security to be given by the successful  
bidder after release of purchase order (in Rupees) : **5** % of the total order cost



**SECTION : 4 – PRICE SCHEDULE**

**To be used by the bidder for submission of the price bid**

1. Component Name:
2. Specifications (confirming to Section 3 of Tender document-enclose additional sheets if necessary):
3. Currency and Unit cost (excluding Taxes):
4. Quantity:
5. Item cost (Sl.No.3 \* Sl.No.4) (in Indian Rupee):
6. Taxes and other charges:
  - (i) Specify the type of taxes and duties in percentages and also in figures
  - (ii) Specify other charges in figures
7. Total cost (Inclusive of all taxes) :
8. Warranty period (confirming to the Section 3 of Tender document. This should be mentioned in Technical bid also in order to get qualified for price bid):
9. Delivery Schedule (confirming to the Section 3 of Tender document):
10. Name and address of the firm for placing purchase order:
  
11. Name and address of Indian authorized agent (in case of imports only):

**Signature of the Bidder** : .....

**Name and Designation** : .....

**Business Address** : .....

**Place :**

**Date :**

**Seal of the Bidder's Firm**

(Note: All column should be filled. No column should be left blank. If any column is not filled-in properly or left empty then the bid will be rejected.)

**SECTION : 5 – CONTRACT FORM**

---

**To be provided by the bidder in their business letter head**

---

[Name of the Supplier’s Firm] hereby abide to deliver the .....by the delivery schedule mentioned in the Section 3 of the Tender document for supply of the items if the purchase order is awarded.

The item will be supplied conforming to the specifications stated in the tender document without any defect and deviations.

Warranty will be given for the period mentioned in the tender document and service will be rendered to the satisfaction of NIT, Trichy during this period.

**Signature of the Bidder** : .....

**Name and Designation** : .....

**Business Address** : .....

**Place :**

**Date :**

**Seal of the Bidder’s Firm**

**NATIONAL INSTITUTE OF TECHNOLOGY, TIRUCHIRAPALLI**

**Annexure-A**

**MODEL PRICE BID FORMAT FOR INDIAN BIDDERS**

Tender No. & Date:

Bidder's Offer No. & Date:

S. No.	Description of item	Unit (SET /No)	QTY	Rate /Qty in Rs. (excluding of all taxes)	ED in %	VAT/ CST In %	Service Tax in %	Total Value in Rs. (inclusive of all taxes)
(1)	(2)	(3)	(4)	(5)	(6)	(7)	(8)	(9)
1	<b>Supply portion</b> (The price indicated shall be exclusive of all accessories, spares etc. as given in the scope of supply)							
2	Other accessories /spares etc as given in scope of supply (Individual item-wise break-up price shall be attached as an annexure to this price bid format.)							
3	Installation & Commissioning (extra, if any)							
4	Packing & Forwarding charges (extra, if any)							
5	FOR Dispatching station value in Rs.							
6	Freight & Transit insurance charges, extra, if any							
7	Total all inclusive price delivered, installed and commissioned at NITT							
8	Value of Annual Maintenance Contract							
9	<b>Net cost to be paid by NITT</b>							

**Signature & Seal of Vendor**

**Note: The price bid should be submitted only as per the above format. No row shall be left blank. Please indicate NA, in case the item is "Not Applicable". If this format is not used or any column is left blank, then the bid will be rejected.**